



COMET

SLIM FLOODLIGHTS



The Comet floodlight offers a comprehensive range of outputs. This versatility, combined with a choice of PIR and Photocell options pre-wired cable and U shaped mounting bracket makes Comet extremely cost effective.

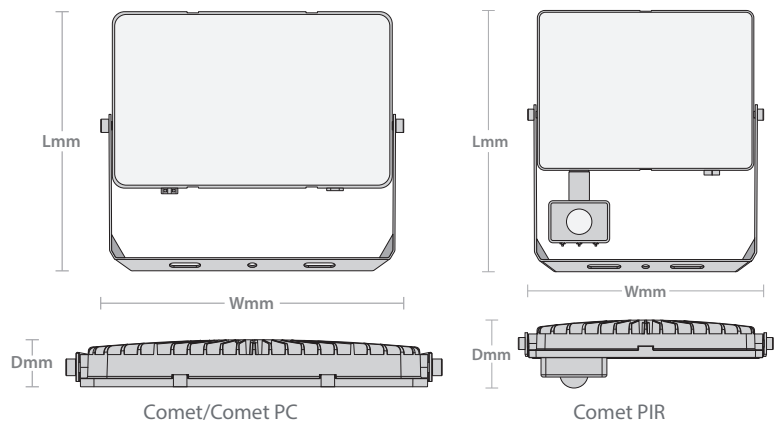
Features

- Choice of IP65 PIR and photocell control options.
- Prewired 1m rubber cable
- U shaped mounting bracket

Specification

Material:	Body: Aluminium Lens: Glass
Colour Temperature:	4000K
Colour Finish:	Black
CRI	Ra>80
LED Lifetime:	L70B50 50,000 hrs
IP Rating:	IP65
IK Rating:	IK06
Working Temperature:	-30°C to 45°C
Beam Angle:	110°
Electrical Class:	Class: I
Guarantee:	3 Years

Dimensions



Product Code	Description	Wattage	Lumen Output	Colour Temp	Efficacy	Dimensions	Weight (Kg)	Barcodes
CMT10-40	COMET	10W	1000 lm	4000K	100 lm/W	L: 133 x W: 131 x D: 28mm	0.40	5055807625593
CMT20-40	COMET	20W	2000 lm	4000K	100 lm/W	L: 133 x W: 131 x D: 28mm	0.40	5055807625609
CMT30-40	COMET	30W	3000 lm	4000K	100 lm/W	L: 171 x W: 174 x D: 31mm	0.60	5055807625616
CMT50-40	COMET	50W	5000 lm	4000K	100 lm/W	L: 212 x W: 216 x D: 32mm	0.85	5055807625623
CMT100-40	COMET	100W	10000 lm	4000K	100lm/W	L: 290 x W: 251 x D: 37mm	1.45	5055807625630
CMT150-40	COMET	150W	15000 lm	4000K	100 lm/W	L: 348 x W: 311 x D: 40mm	2.12	5055807625647
CMT200-40	COMET	200W	20000 lm	4000K	100 lm/W	L: 414 x W: 374 x D: 41mm	3.09	5055807625654
CMT300-40	COMET	300W	30000 lm	4000K	100 lm/W	L: 476 x W: 414 x D: 48mm	4.36	5055807625661
CMT10PIR-40	COMET with PIR	10W	1000 lm	4000K	100 lm/W	L: 133 x W: 175 x D: 55mm	0.46	5055807625678
CMT20PIR-40	COMET with PIR	20W	2000 lm	4000K	100 lm/W	L: 133 x W: 175 x D: 55mm	0.46	5055807625685
CMT30PIR-40	COMET with PIR	30W	3000 lm	4000K	100 lm/W	L: 171 x W: 207x D: 57mm	0.67	5055807625692
CMT50PIR-40	COMET with PIR	50W	5000 lm	4000K	100 lm/W	L: 212 x W: 236 x D: 57mm	0.90	5055807625708
CMT100PC-40	COMET with Photocell	100W	10000 lm	4000K	100 lm/W	L: 290 x W: 251 x D: 37mm	1.48	5055807625715
CMT150PC-40	COMET with Photocell	150W	15000 lm	4000K	100 lm/W	L: 348 x W: 311 x D: 40mm	2.15	5055807625722
CMT200PC-40	COMET with Photocell	200W	20000 lm	4000K	100 lm/W	L: 414 x W: 374 x D: 41mm	3.12	5055807625739
CMT300PC-40	COMET with Photocell	300W	30000 lm	4000K	100 lm/W	L: 476 x W: 414 x D: 48mm	4.39	5055807625746

Maximum Fittings Per Circuit

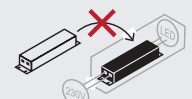
Automatic Circuit Breaker Type:	B6	B10	B13	B16	B20	C10	C13	C16	C20
Rated Current:	6A	10A	13A	16A	20A	10A	13A	16A	20A
Cable (mm):	1.5	1.5	1.5	1.5	2.5	1.5	1.5	1.5	2.5
CMT10-40/CMT10PIR-40	25	25	25	25	25	25	25	25	25
CMT20-40/CMT20PIR-40	25	25	25	25	25	25	25	25	25
CMT30-40/CMT30PIR-40	25	25	25	25	25	25	25	25	25
CMT50-40/CMT50PIR-40	16	25	25	25	25	25	25	25	25
CMT100-40/CMT100PC-40	8	13	17	21	25	16	21	25	25
CMT150-40/CMT150PC-40	5	9	11	14	18	11	14	18	22
CMT200-40/CMT200PC-40	4	6	8	10	13	8	11	13	16
CMT300-40/CMT300PC-40	2	4	6	7	9	5	7	9	11

ENERGY
Red Arrow
CMTXXX-40

A
B
C
D
E
F
G

10-300 kWh/1000h

2021 No. 1095



www.redarrowelectrical.co.uk

PIR Specification:

PIR versions have 4 wire supply connection, permitting a bypass over-ride switch to be added to the circuit.